



NIMBO-14

LOUDSPEAKERS

Top Performance Cabinet Loudspeaker



USER MANUAL

PRECAUTIONS

WARRANTY & ENVIRONMENT

PACKAGE CONTENTS

DESCRIPTION & FEATURES

CONNECTIONS

EQ SETTINGS

RECOMMENDED AMPLIFIER

POSITIONING & INSTALLATION

TECHNICAL DATA

TABLE OF CONTENTS

1. PRECAUTIONS.....	3
1.1 Important Notice.....	3
1.2 Key Safety Directions.....	4
1.3 Cleaning Directions	4
2. WARRANTY & ENVIRONMENT	5
3. PACKAGE CONTENTS	5
4. DESCRIPTION & FEATURES	6
4.1 Main Features.....	6
5. CONNECTIONS	7
5.1 Connections Diagram	8
5.1 Outdoor installation.....	9
6. EQ SETTINGS	10
7. RECOMMENDED AMPLIFIER	10
8. POSITIONING & INSTALLATION	10
8.1 Positioning.....	10
8.2 Installation	10
8.3 Installation Diagram	11
9. TECHNICAL DATA.....	13
9.1 Technical Specifications.....	13
9.2 Mechanical Diagram.....	14



PRECAUTIONS

WARRANTY & ENVIRONMENT

PACKAGE CONTENTS

DESCRIPTION & FEATURES

CONNECTIONS

EQ SETTINGS

RECOMMENDED AMPLIFIER

POSITIONING & INSTALLATION

TECHNICAL DATA

1. PRECAUTIONS

1.1 Important Notice



WARNING: SHOCK HAZARD - DO NOT OPEN

AVIS: RISQUE DE CHOC ÉLECTRIQUE - NE PAS OUVRIR



The flashing light with an arrowhead symbol inside an equilateral triangle on it is intended to alert the user of the presence of non-insulated “dangerous voltage” within the enclosure, which might be of sufficient magnitude to pose a risk of electric shock to users.



The exclamation mark within an equilateral triangle is intended to alert the user of the requirement for important operating and maintenance (servicing), for which instructions may be found in the literature accompanying the appliance.

WARNING (If applicable): Terminals marked with symbol “⚡” may be of sufficient magnitude to pose a risk of electric shock. The external wiring connected to terminals requires installation by a technician, or the use of ready-made leads or cords.

WARNING: To prevent fire or shock hazard, do not expose this equipment to rain or humidity.

WARNING: A device with Class I manufacturing ought to be connected to a mains socket outlet with a protective earthing connection.



WARNING: Ecler products have a long lifetime of more than 10 years. This product must never be discarded as unsorted urban waste, but must be taken to the nearest electrical and electronic waste treatment centre.



PRECAUTIONS

WARRANTY & ENVIRONMENT

PACKAGE CONTENTS

DESCRIPTION & FEATURES

CONNECTIONS

EQ SETTINGS

RECOMMENDED AMPLIFIER

POSITIONING & INSTALLATION

TECHNICAL DATA

1.2 Key Safety Directions

1. Read the following directions.
2. Keep the following directions.
3. Heed all warnings.
4. Follow all directions.
5. Do not use this device in proximity to water.
6. Clean only with a dry cloth.
7. Do not block any ventilation openings. Install in accordance with the manufacturer's instructions.
8. Do not install near any heat sources such as radiators, heat registers, stoves, or other devices (including amplifiers) that may release heat.
9. Do not defeat the safety purpose of the polarized or grounding type plug. A polarized plug has two blades, being one wider than the other. A grounding type plug has two blades and a third grounding prong. The wide blade or the third prong are provided for your safety. If the provided plug does not fit into your outlet, contact a qualified electrician for a replacement of the obsolete outlet.
10. Protect the power cord from being walked on or pinched, particularly at the plugs, convenience receptacles, and at the point of exit from the device.
11. Only use attachments/accessories specified by the manufacturer.
12. Unplug the device during lightening sorts or when unused for long periods of time.
13. Refer all servicing to qualified personnel. Servicing is required when the device has been damaged in any way, such as power supply cord or plug damage, liquid spillage or objects onto the device, the device has been exposed to rain or humidity, does not operate normally, or has been dropped.
14. Disconnecting from mains: When switching off the POWER switch, all the functions and light indicators of the unit will be stopped, but fully disconnecting the device from mains is done by unplugging the power cable from the mains input socket, therefore, it should always remain easily accessible
15. Equipment is connected to a socket-outlet with an earthing connection by means of a power cord.
16. The marking information is located at the bottom of the unit.
17. The device shall not be exposed to dripping or splashing liquids, and no liquid-filled objects, such as a filled up glass, shall be placed on top of the device.

1.3 Cleaning Directions



Clean the unit with a soft, dry clean cloth or slightly wet with water and neutral liquid soap only, then dry it with a clean cloth. Be careful that water never gets into the unit through any hole. Never use alcohol, benzine, solvents or abrasive substances to clean this unit.

NEEC AUDIO BARCELONA, S.L. accepts no liability for any damage that may be caused to people, animal, or objects due to failure to comply with the warnings above.



PRECAUTIONS

WARRANTY & ENVIRONMENT

PACKAGE CONTENTS

DESCRIPTION & FEATURES

CONNECTIONS

EQ SETTINGS

RECOMMENDED AMPLIFIER

POSITIONING & INSTALLATION

TECHNICAL DATA

2. WARRANTY & ENVIRONMENT

**Thank you for choosing our Ecler NIMBO-14!
We greatly value your trust.**

It is **VERY IMPORTANT** to carefully read this manual and to fully understand its **contents before any connecting takes place** in order to make the best use of this equipment, as well as to get the best performance from it.

To ensure optimal operation of this device, **we strongly recommend that its maintenance be carried out by our authorised Technical Services.**

All ECLER products are covered by warranty, please refer to www.ecler.com or the warranty card included with this product for the period of validity and conditions.



Ecler is truly committed with the environment and planet sustainability, energy saving and CO₂ emission reduction. Recycling materials and using non-contaminant components are also top priorities in our green crusade.

Ecler has deeply evaluated and analyzed the environmental impacts of all the processes involved in the production of this product, including packaging, and has alleviated, reduced and/or compensated for them.

3. PACKAGE CONTENTS

- 1 x NIMBO-14 loudspeaker.
- 1x HANDY Wall-mount bracket.
- 2x Euroblock.
- First Steps Guide.
- Warranty card.



PRECAUTIONS

WARRANTY & ENVIRONMENT

PACKAGE CONTENTS

DESCRIPTION & FEATURES

CONNECTIONS

EQ SETTINGS

RECOMMENDED AMPLIFIER

POSITIONING & INSTALLATION

TECHNICAL DATA

4. DESCRIPTION & FEATURES

NIMBO-14 is a premium performance 2-way passive loudspeaker with 40W RMS power, in a compact size with extended low frequency response. Suitable for outdoor applications, with a cloud-inspired design, result of Ecler's engineering skills and the collaboration of architects and interior designers.

Including 1 x 4" woofer and a 1" silk tweeter located in the acoustic centre, acting as a single point source to disperse the sound evenly.

It includes a wall-mount bracket (inox), allowing tilt and pan adjustment using a single screw.

4.1 Main Features

- 2-way passive loudspeaker for surface mounting.
- 1x 4" woofers with 4-layer voice coil improves power handling and low frequency response.
- 1" silk tweeter with neodymium magnet and ferrofluid.
- 8Ω nominal impedance.
- Glass-fibre reinforced ABS non resonant compact enclosure.
- Wide dispersion pattern.
- HANDY wall-mount (inox) versatile pan and tilt bracket included. Quick and easy to install, including jumps and markings for repeating speaker orientation.
- Weather-protected with an IP-44 rating.
- Available in white (RAL9003), black (RAL9005), gold colour (RAL1036, approx.) and titanium colour (RAL9007 MATT).
- RAL paint customization available.



PRECAUTIONS

WARRANTY & ENVIRONMENT

PACKAGE CONTENTS

DESCRIPTION & FEATURES

CONNECTIONS

EQ SETTINGS

RECOMMENDED AMPLIFIER


POSITIONING & INSTALLATION

TECHNICAL DATA

5. CONNECTIONS

The connection cables which connect the amplifiers output and the speaker should be of good quality, have sufficient conductor area and be as short as possible. The latter fact is especially important when the distance is long and the load impedance low (8Ω). A cross-section of at least 2.5mm^2 is recommended for distances up to 10m; 4 or 6mm^2 for longer distances. Following formula gives the required section, assuming 4% losses:

$$\text{Cross section in mm}^2 = \frac{\text{Length in m}}{\text{Loudspeaker impedance in } \Omega}$$

 **Always respect the polarity.** The loudspeaker has an INPUT Euroblock connector, and a second STACK Euroblock connector thereby facilitating the parallel connection of speaker.



See detailed connections diagram on next page.



PRECAUTIONS

WARRANTY & ENVIRONMENT

PACKAGE CONTENTS

DESCRIPTION & FEATURES

CONNECTIONS

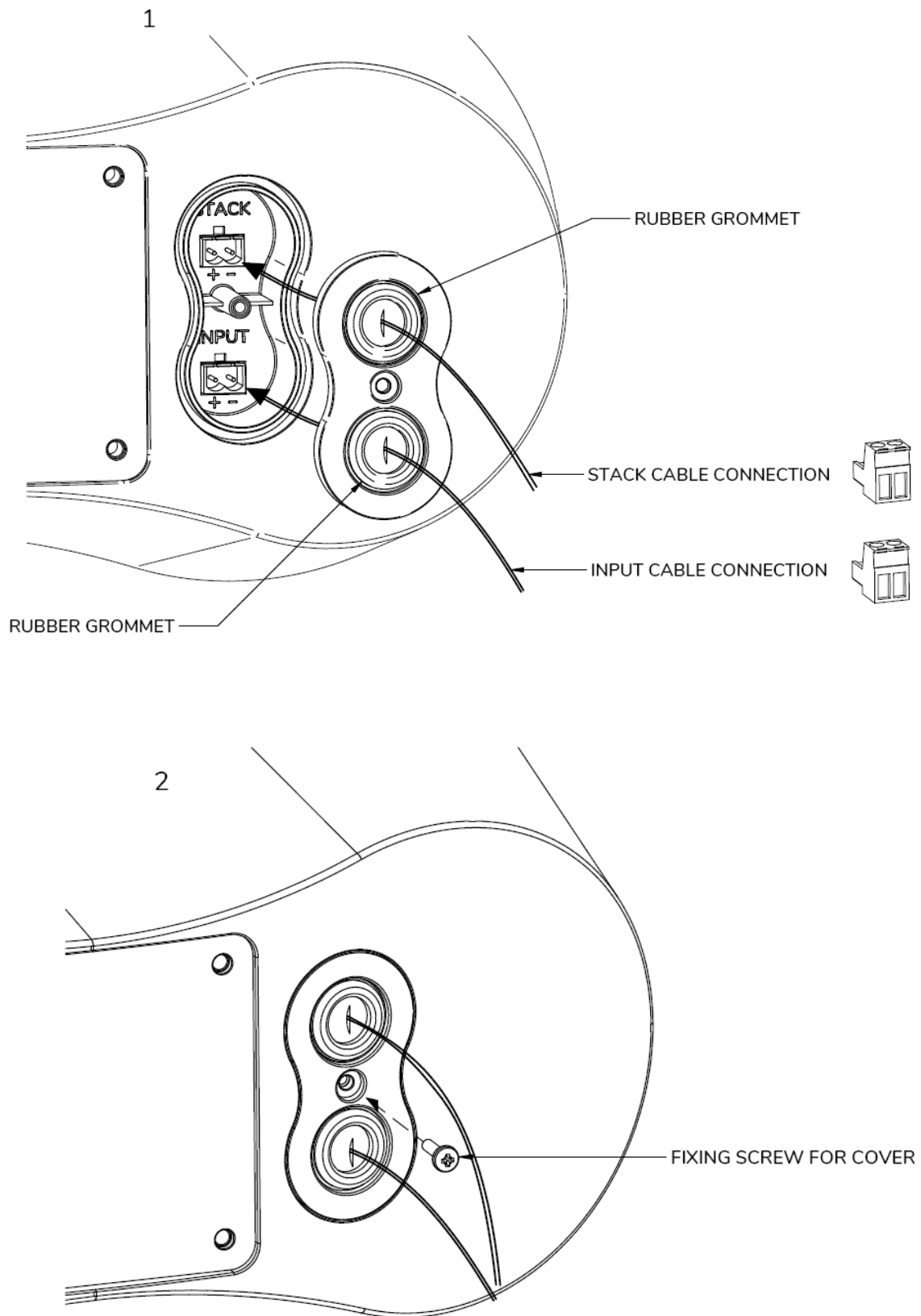
EQ SETTINGS

RECOMMENDED AMPLIFIER

POSITIONING & INSTALLATION

TECHNICAL DATA

5.1 Connections Diagram



PRECAUTIONS

WARRANTY & ENVIRONMENT

PACKAGE CONTENTS

DESCRIPTION & FEATURES

CONNECTIONS

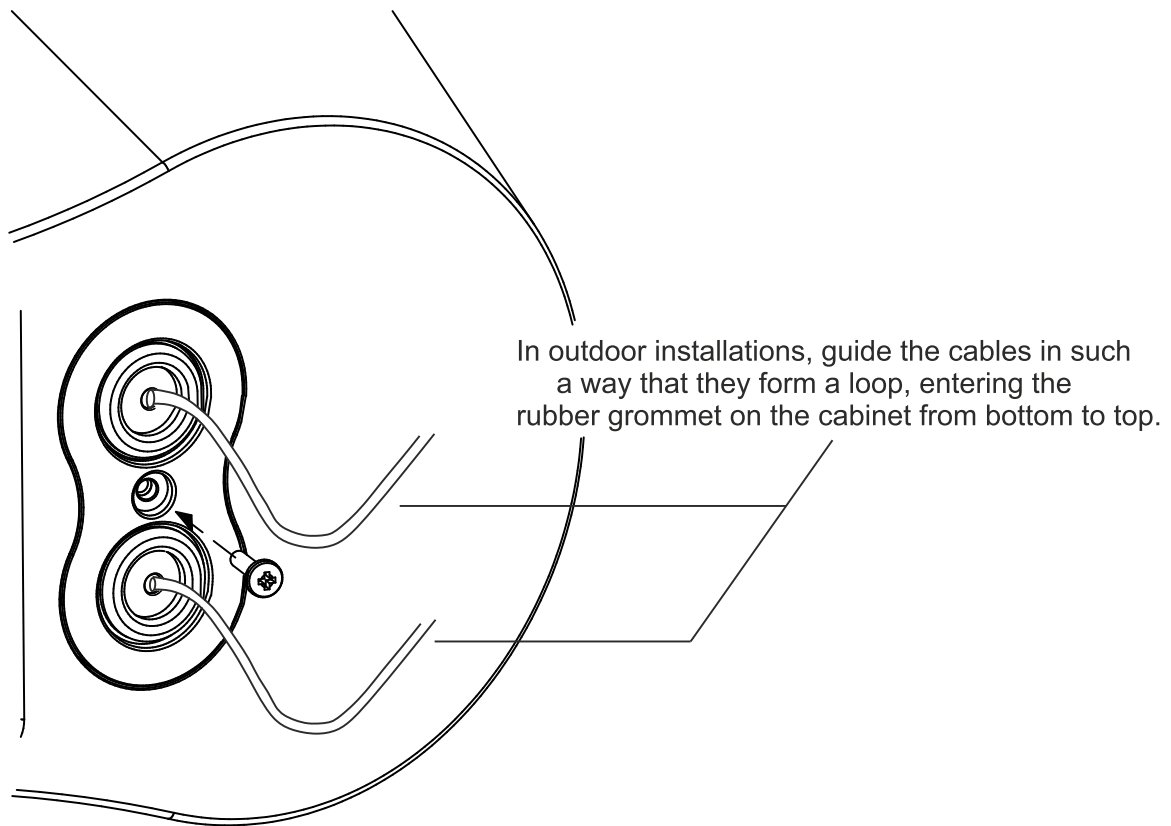
EQ SETTINGS

RECOMMENDED AMPLIFIER

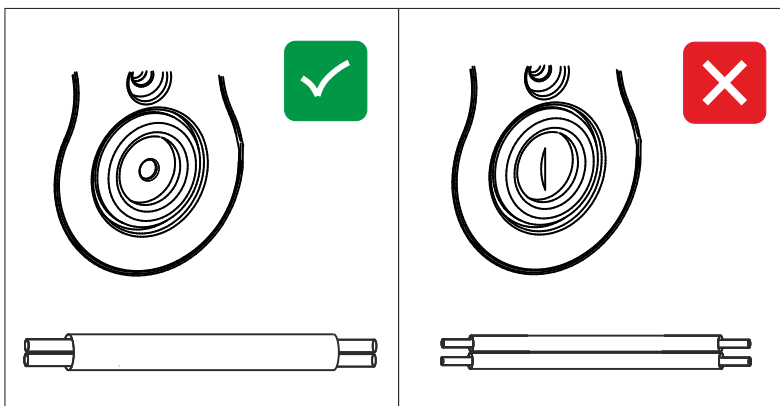
POSITIONING & INSTALLATION

TECHNICAL DATA

5.1 Outdoor installation



In outdoor installations, use a round tool to drill the grommets. Avoid making straight cuts. Additionally, ensure the use of round profile cables instead of parallel cables.



PRECAUTIONS

WARRANTY & ENVIRONMENT

PACKAGE CONTENTS

DESCRIPTION & FEATURES

CONNECTIONS

EQ SETTINGS

RECOMMENDED AMPLIFIER

POSITIONING & INSTALLATION

TECHNICAL DATA

6. EQ SETTINGS

[Download the Ecler Loudspeakers EQ Settings file](#) ready to import in EclerNet Manager software.

7. RECOMMENDED AMPLIFIER

The output power of the **recommended amplifier** for NIMBO-14 is **80W RMS**.

8. POSITIONING & INSTALLATION

8.1 Positioning

Consider following general rules.

Place the speaker on a solid and firm surface. No obstacles should stand between the enclosures and the audience. The high frequencies are very directive compared to the low frequencies, so that any obstacle will impair their response. In case large audiences must be addressed, a better long distance sound propagation will be achieved if the enclosures are flown high enough.



Download all EASE files by clicking on the image:



8.2 Installation

NIMBO-14 loudspeaker **includes a HANDY stainless steel wall bracket, easy to install that allows tilt and pan adjustment using a single screw.** Quick and easy to install, including jumps and markings for repeating speaker orientation.



See detailed installation diagram on next page.



PRECAUTIONS

WARRANTY & ENVIRONMENT

PACKAGE CONTENTS

DESCRIPTION & FEATURES

CONNECTIONS

EQ SETTINGS

RECOMMENDED AMPLIFIER

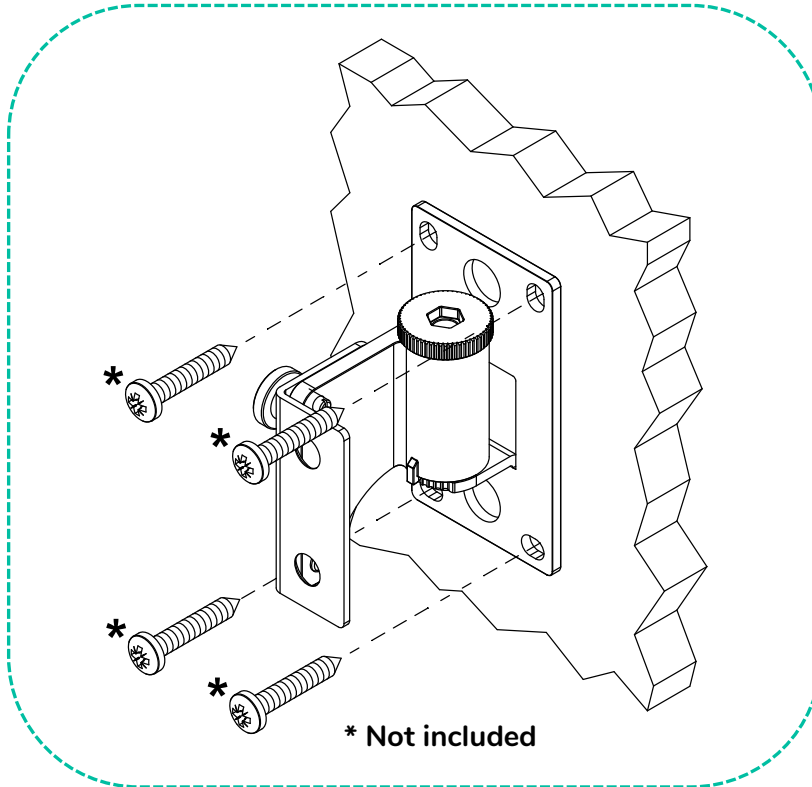
POSITIONING & INSTALLATION

TECHNICAL DATA

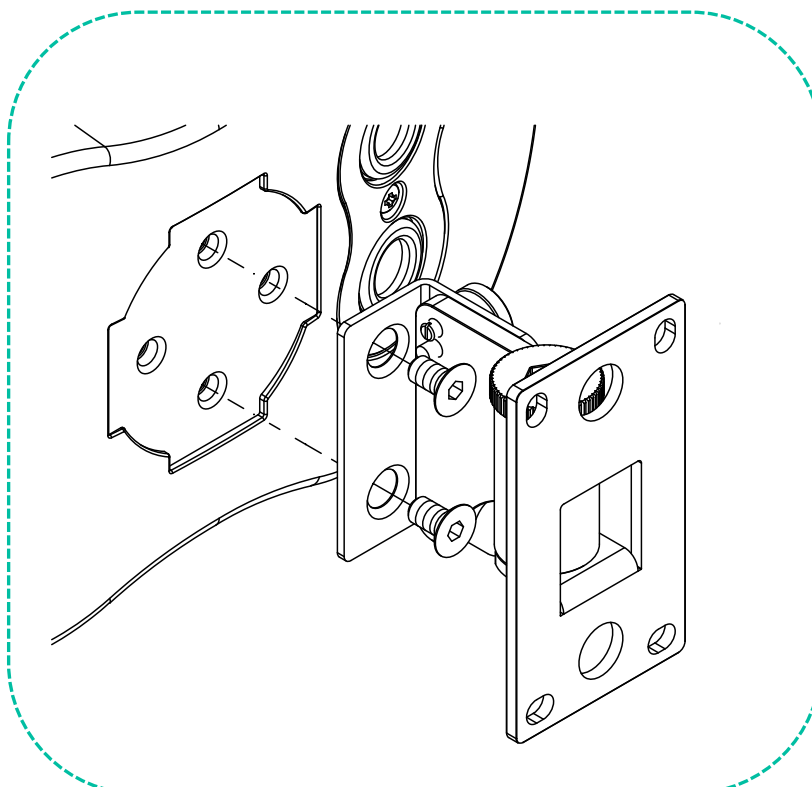
8.3 Installation Diagram

Mounting the bracket

1



2



PRECAUTIONS

WARRANTY & ENVIRONMENT

PACKAGE CONTENTS

DESCRIPTION & FEATURES

CONNECTIONS

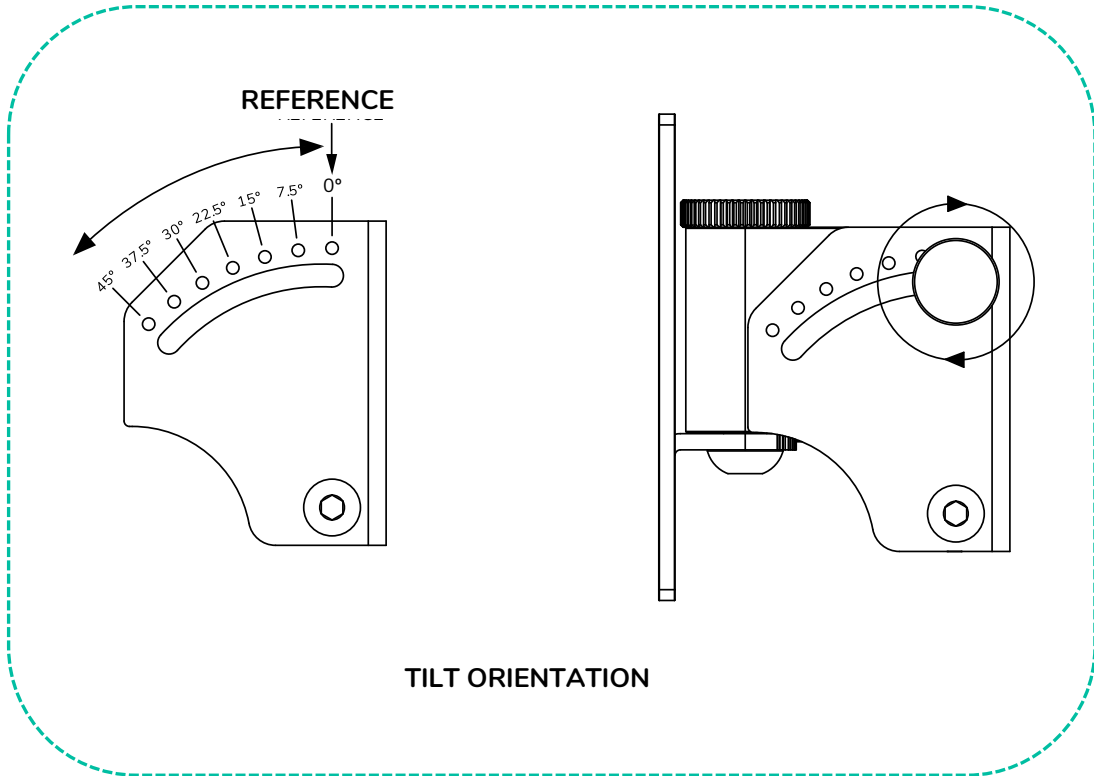
EQ SETTINGS

RECOMMENDED AMPLIFIER

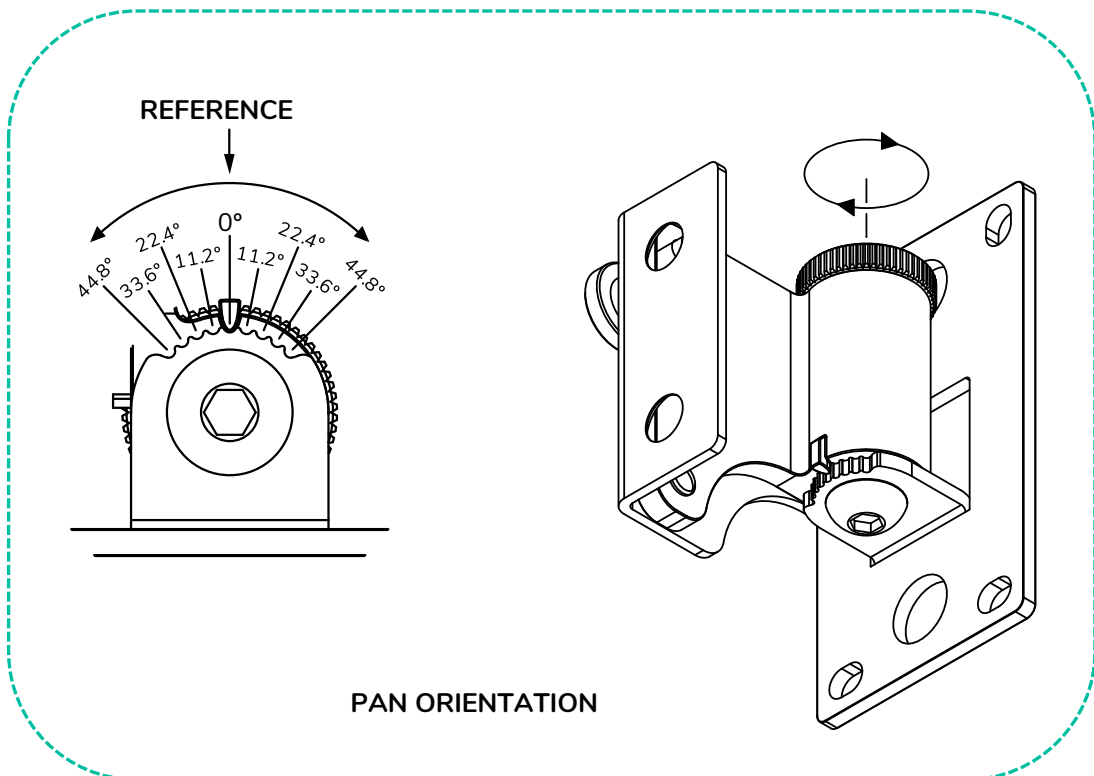
POSITIONING & INSTALLATION

TECHNICAL DATA

3



4



PRECAUTIONS

WARRANTY & ENVIRONMENT

PACKAGE CONTENTS

DESCRIPTION & FEATURES

CONNECTIONS

EQ SETTINGS

RECOMMENDED AMPLIFIER

POSITIONING & INSTALLATION

TECHNICAL DATA

9. TECHNICAL DATA

9.1 Technical Specifications

NIMBO-14

SYSTEM	
Effective Freq. Range ¹	75Hz-20kHz (-10dB)
Coverage angle ²	128° x 196° (HxV)
Power handling	40W RMS / 160 W Peak
Sensitivity ³	81db (1W/1m)
Maximum SPL ⁴	97dB continuous / 103 dB peak
Recommended amplifier power	80W RMS
TRANSDUCERS	
Ways	2-ways full range
Low frequency driver	1 x 4" Woofer
High frequency driver	1" Silk Dome Tweeter
Nominal impedance	8Ω
FILTERS	
Crossover filter	1,65 KHz
PHYSICAL	
Connection type	Double INPUT/LINK connector, Euroblock type
Installation options	Surface / Wall mounting
Environmental	IP44 rated
Enclosure material	ABS reinforced with fibreglass
Grille material	Aluminium
Grille fixing system	Pressure mount system
Mounting system	Wall-mount bracket (inox)
Operating temperature	Min: 0°C ; 32°F Max: 35°C ; 95°F
Operating humidity	<85% HR
Storage temperature	Min: -10°C ; 14°F Max: 50°C ; 122°F
Storage humidity	<90% HR
Included accessories	Wall-mount bracket, 2x Euroblock connector
Finished colour	White (RAL9003), Black (RAL9005), Gold (RAL1036, approx.) or Titanium (RAL9007 MATT)
Dimensions (WxHxD)	250 x 148.7x 150 mm / 9.84 x 5.85 x 5.91 in.
Weight	1.7 kg / 3.75 lb
Pieces per box	1
Shipping dimensions (WxHxD)	330 x 250 x 240 mm / 13 x 9.84 x 9.45 in.
Shipping weight	2,7 kg / 5,95 lb

¹ below the sound pressure level at specified sensitivity.

² 6dB below the sound pressure level than that at the direction of maximum level, Max. angle between 1 kHz and 4 kHz.

³ Measured on-axis, far field and referenced to 1 meter by inverse square law. Average from 100 Hz to 10 kHz.

⁴ Calculated from sensitivity and power handling specifications, exclusive of power compression.



PRECAUTIONS

WARRANTY & ENVIRONMENT

PACKAGE CONTENTS

DESCRIPTION & FEATURES

CONNECTIONS

EQ SETTINGS

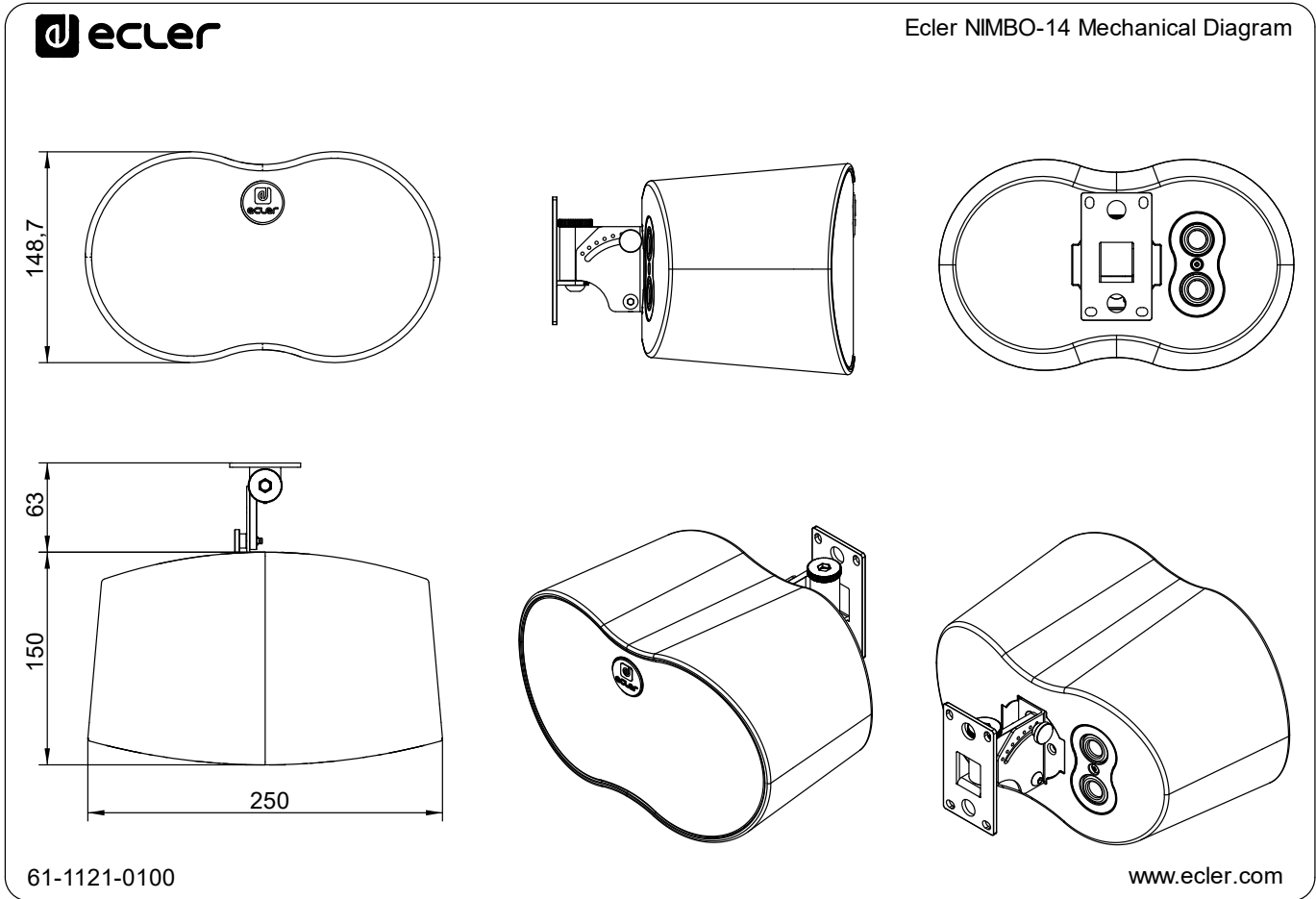
RECOMMENDED AMPLIFIER

POSITIONING & INSTALLATION

TECHNICAL DATA

9.2 Mechanical Diagram

All measurements are in mm.



All the measurements are in mm



PRECAUTIONS

WARRANTY & ENVIRONMENT

PACKAGE CONTENTS

DESCRIPTION & FEATURES

CONNECTIONS

EQ SETTINGS

RECOMMENDED AMPLIFIER

POSITIONING & INSTALLATION

TECHNICAL DATA



PRECAUTIONS

WARRANTY & ENVIRONMENT

PACKAGE CONTENTS

DESCRIPTION & FEATURES

CONNECTIONS

EQ SETTINGS

RECOMMENDED AMPLIFIER

POSITIONING & INSTALLATION

TECHNICAL DATA



All product characteristics are subject to variation due to production tolerances. **NEEC AUDIO BARCELONA S.L.** reserves the right to make changes or improvements in the design or manufacturing that may affect these product specifications.

For technical queries contact your supplier, distributor or complete the contact form on our website, in [Support / Technical requests](#).

Motors, 166-168 | 08038 Barcelona, Spain | Tel. (+34) 932238403 | information@ecler.com | www.ecler.com