



# DNH

HEAD OFFICE, NORWAY

**DNH AS**

Phone..... + 47 35 98 56 00

Fax..... + 47 35 98 56 10

E-mail..... dnh@dnh.no

Web-Site..... www.dnh.no

ENGLAND

**DNH WW Ltd**

Phone..... + 44 1908 275 000

Fax..... + 44 1908 275 100

E-mail..... dnh@dnh.co.uk

GERMANY

**DNH GmbH**

Phone... + 49 040 6569 30-0

Fax..... + 49 040 6569 30-30

E-mail..... dnh@dnh.de

USA

**DNH Speakers Inc**

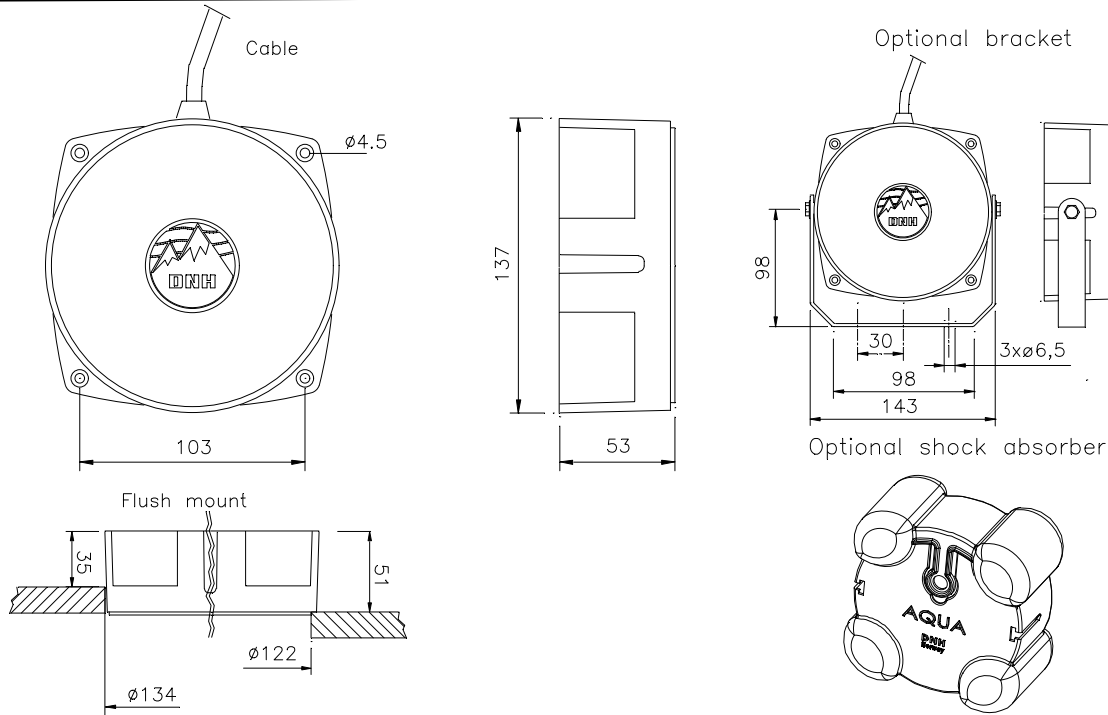
Phone..... + 1 484 494 5790

Fax..... + 1 484 494 5793

E-mail..... dnh@dnhspeakers.com

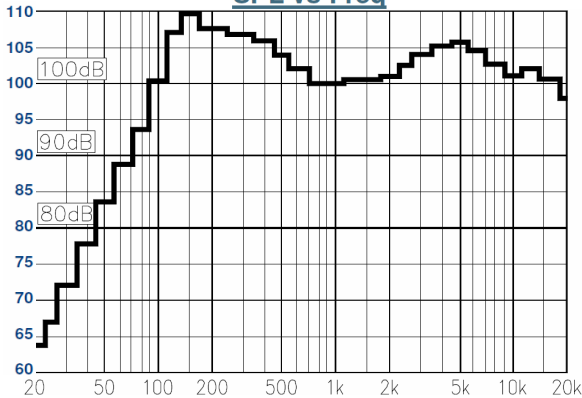
ISO 9001 CERTIFIED

## Aqua-30



Sound pressure levels at 1W/1m under water

**SPL vs Freq**



Specifications

Material / Color	PA / Blue
Mounting	4 screws
Termination	Cable, 5 m
Weight w/transformer	2,2 kg
IP-rating	68
Max. / min. amb. temp	90°C / -20°C
Rated power	30 W
SPL 1W/1m	105 dB
SPL rated power	118 dB
Effective freq. range	80 – 20000 Hz
Dispersion (-6dB) 1kHz / 4kHz	180° / 180°
Options	Impedances, colors, labels

### Installation, Operation and Maintenance Procedures

- Use four screws for mounting on wall or alternative bracket system.
- When mounting with optional bracket, use the slit on each side to connect the bracket to the loudspeaker.
- Cable termination code: Green/yellow: Ground Brown: (+). Blue: (-)
- Recommended installation depth 0,5m to 2m.
- Typical sound coverage for Aqua-30 is 200 m<sup>2</sup>.
- Warning**, this loudspeaker generates very high sound pressures even when driven at low power. When installed under the water the Sound adjustment must be done carefully listening under the water. Maximum Voltage 15V
- For optimum performance, always use the correct voltage / power and operate within the frequency limits as stated.
- This loudspeaker is supplied with two years warranty against defective workmanship.

DNH reserves the right to alter specifications without notice.

